

**• PFL25-MOV surge / lightning protection for supply lines Ac / Dc**

Absorption of voltage shock and surges  
Lines supply AC and DC protection  
According to EN 61000-4-5 surges

**• PFL25-TVS voltage limiter, over voltage protection**

Transient voltage limitation  
Analog lines protection : PT100 , 4..20mA , ...  
Data lines protection : RS485 , RS232 , ....  
Remote sensors protection  
According to 61000-4-4 fast transient / burst voltage

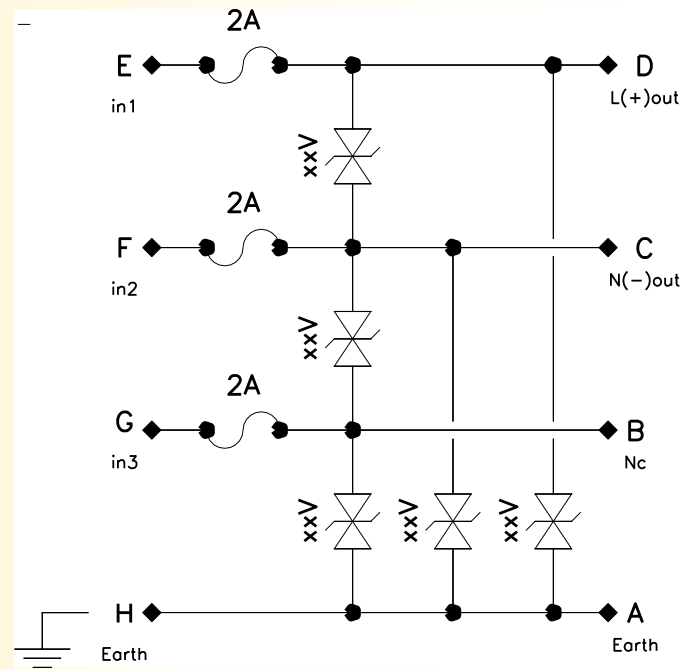
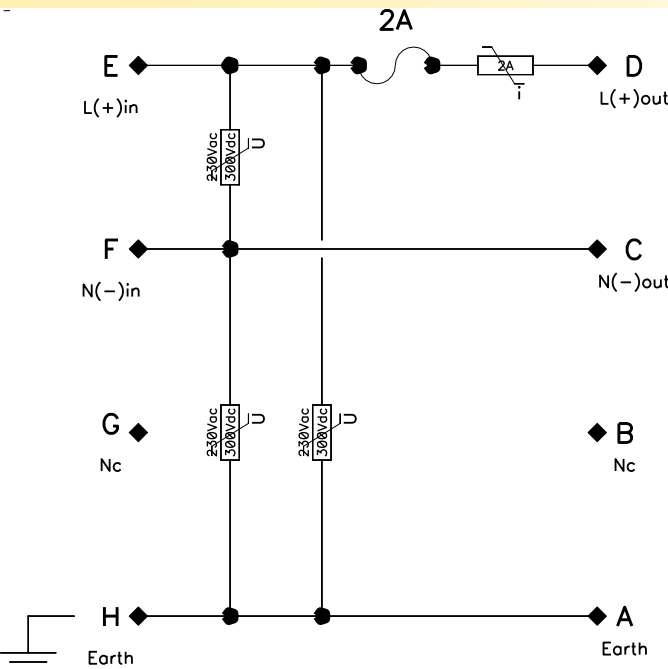
**• Advantages** Improve systems efficiency and availability  
(DC/DC converter, power supply, instrumentation)

**• Applications** High voltage substation, speed variators



The PFL25 protects against the risk of damage of electronic devices caused by lightning and surges. It operates as a voltage limiter by absorbing the electrical shock wave.

**Internal scheme for PFL25-MOV (SURGE ARRESTER)      Internal scheme for PFL25-TVS (OVER VOLTAGE)**



**Description:**

- Differential and common mode protection.
- Operating voltage according to application.
- Inrush current limiter in option
- internal fuse to avoid the load destruction

**Features:**

- DIN rail mounting (symmetric),
- Wiring on screws terminal blocks (2.5 mm<sup>2</sup> section)
- Conformal coating.
- Protection rating (housing/terminal) : IP20

Version and order code:

[Request a quote](#)

**PFL25-MOV - U - i** Surge arrester protection for supply lines  
U : rating operating voltage  
i : rating current consumed by load

option /LCA Inrush current limiter  
i max (limitation current) must be defined

**PFL25-TVS** Voltage limiter for analog or data lines.

Define the application type : 4..20mA , 0..10V , PT100  
RS232 , RS485 , .....

**CHARACTERISTICS**

**PFL25-MOV**

Rating voltage range: 10Vac...1000Vac / 12Vdc...1400Vdc  
 Admissible peak current : 2500A ( current profile 8/20us)  
 Maximum admissible energy : 5 j / 2ms  
 Peak limitation voltage : about 2 x the rating voltage  
 Parasite capacity < 1nF @ 1Mhz  
 Typical response time: 30ns

**PFL25-TVS**

Rating voltage range: 6.8V ....440V  
 Admissible peak current : 100A ( 10ms)  
 Maximum admissible power: 600W ( wave 10/1000us)  
 Peak limitation voltage : about 1.2 x rating voltage  
 Parasite capacity ~ 1nF  
 Leakage current < 10uA @25°C  
 Typical response time : 1ns

**ENVIRONMENT**

Operating temperature -25 to 65 °C  
 Storage temperature -40 to 85 °C  
 Humidity 95 % not condensed  
 Climatic endurance : > 500 hours at 95% Hr in air at 55°C

Weight 50 g  
 Protection rating IP 20

MTBF (MIL HDBK 217F) > 4 000 000 Hrs @ 25°C  
 Useful lifetime > 200 000 Hrs @ 30°C

Dielectric strength not isolated  
 insulation resistance not isolated

*Electromagnetic compatibility 2014/30/UE / Low Voltage Directive 2014/35/UE*

Immunity standard for industrial environments EN 61000-6-2		Emission standard for industrial environments EN 61000-6-4
EN 61000-4-2 ESD	EN 61000-4-8 AC MF	EN 55011 group 1 class A
EN 61000-4-3 RF	EN 61000-4-9 pulse MF	
EN 61000-4-4 EFT	EN 61000-4-11 AC dips	
EN 61000-4-5 CWG	EN 61000-4-12 ring wave	
EN 61000-4-6 RF	EN 61000-4-29 DC dips	



**WIRING AND OUTLINE DIMENSIONS:**

